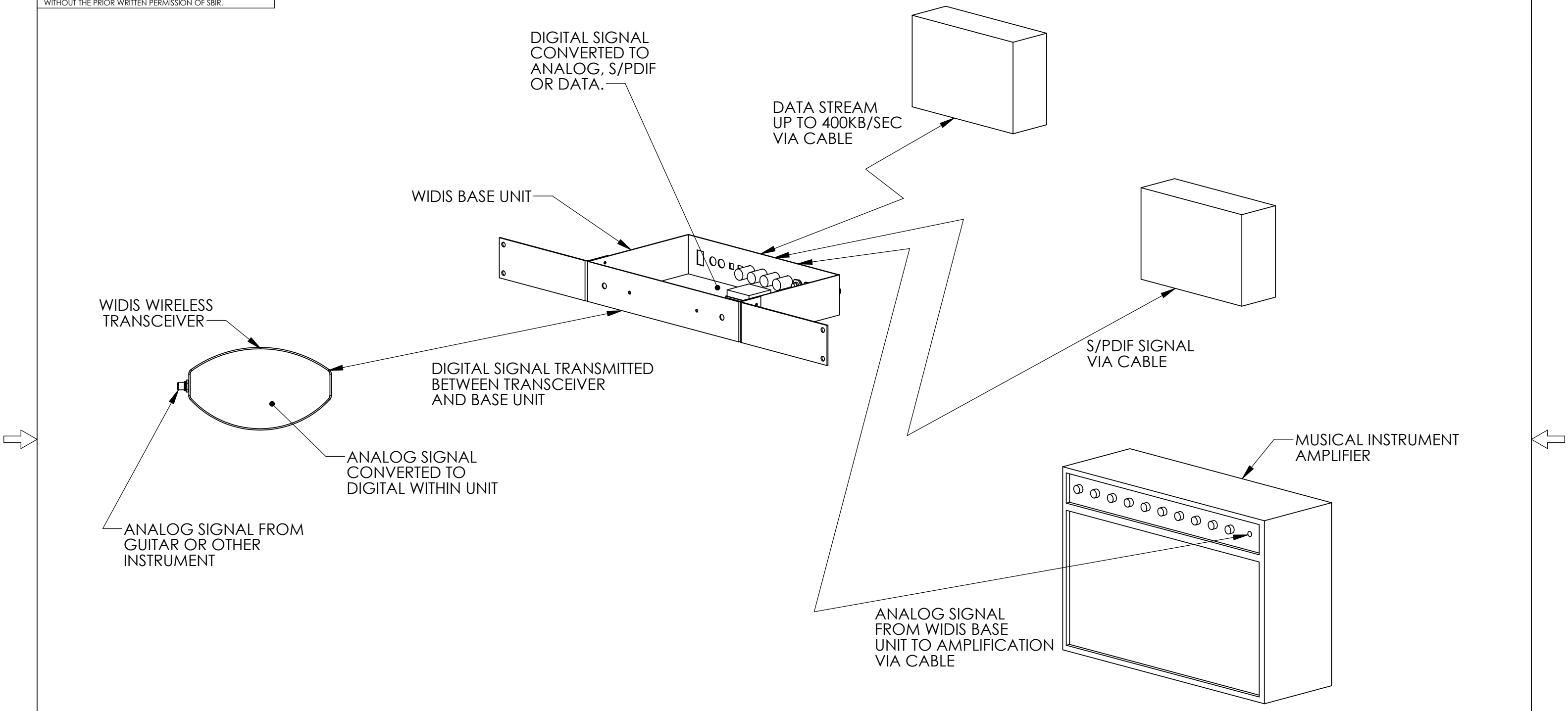


THIS DRAWING CONTAINS PROPRIETARY INFORMATION OF SANTA BARBARA INFRARED INC. (SBIR) AND MAY NOT BE USED FOR THE MANUFACTURE OF ANY PART DISCLOSED HEREIN, NOR DUPLICATED, NOR DISCLOSED TO ANYONE, WITHOUT THE PRIOR WRITTEN PERMISSION OF SBIR.

DRAWN	RELEASED	DATE	REVISED PER ECO	REV



NOTES:

1. SYSTEM BLOCK DIAGRAM TO EXPLAIN WIRELESS INSTRUMENT DIGITAL INTERFACE SYSTEM (WIDIS) OPERATION.
2. THE SYSTEM CONSISTS OF TWO PARTS, TRANCEIVER AND BASE UNIT.
3. THE BASE UNIT IS CAPABLE OF MULTIPLE FORMAT OUTPUTS: ANALOG, SPDIF, AND DATA.

MATERIAL		UNLESS OTHERWISE SPECIFIED DIMENSIONS ARE IN INCHES TOLERANCES ARE ±	DRAWN	DATE	DESIGN SOLUTIONS		
1			D. OETTINGER	2/21/07			
		.XX	CHECKED	DATE	MODEL		
		.XXX			WIDIS		
		.XXXX	RELEASED	DATE	TITLE		
		FRAC.			WIRELESS INSTRUMENT DIGITAL INTERFACE SYSTEM		
		ANG.	RELEASED PER ECO NO. NA				
XXX-XXX	XXXXX		SCALE	NUMBER			
NEXT ASSY	USED ON	DO NOT SCALE FROM DRAWING	NTS	NA	SHEET	OF	REV
APPLICATION					1	1	NC