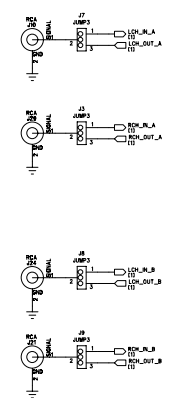


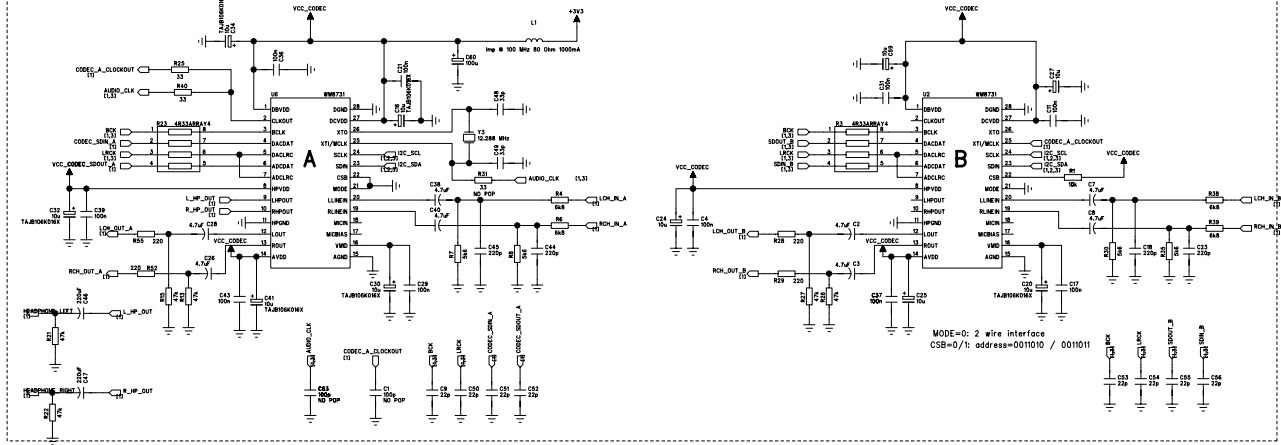
6 5 4 3 2 1

REVISION RECORD			
LTR	ECO NO.	APPROVED	DATE

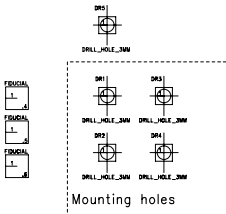
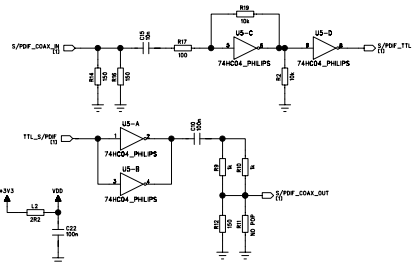
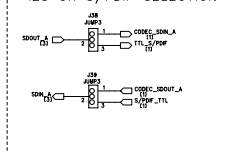
Audio INPUT/OUTPUT Selection



WM8731 CODEC



I2S OR S/PDIF SELECTION



COMPANY:		WSS B.V.	
TITLE:			
DWAN79 Interface Board			
DRAWN:	MC/NS	DATED:	19-01-06
CHECKED:		DATED:	
QUALITY CONTROL:		DATED:	
RELEASED:		DATED:	
CODE:	SIZE:	DRAWING NO.:	REV.:
		5739-D-014	0.3
SCALE:	SHEET:		1 OF 1

6

5

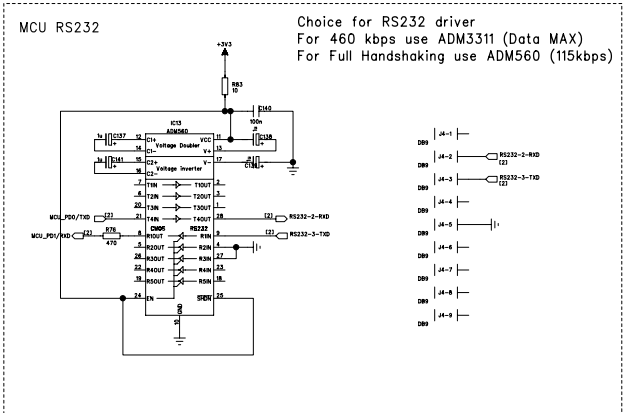
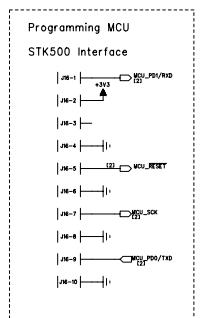
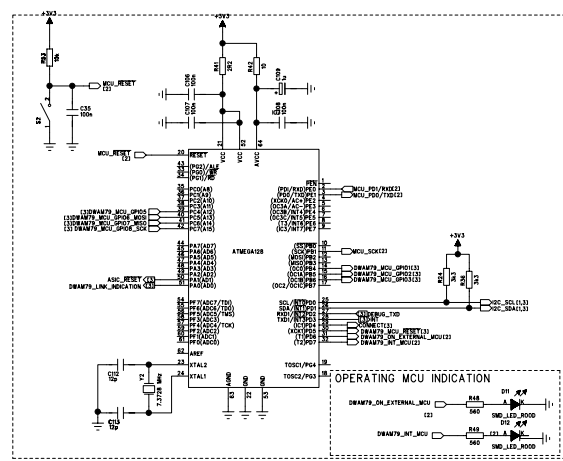
4

3

2

1

REVISION RECORD			
LTN	ECO NO.	APPROVED	DATE



D

C

B

A

D

C

B

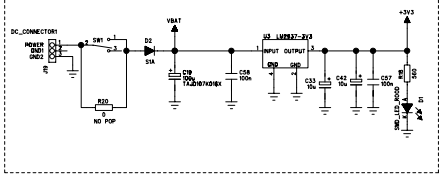
A

DRAWN:		DATED:		COMPANY:	
CHECKED:		DATED:		TITLE:	
QUALITY CONTROL:		DATED:		CODE:	SIZE:
RELEASED:		DATED:		DRAWING NO. REV.	
SCALE:				SHEET: OF	

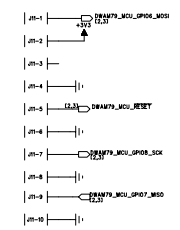
6 5 4 3 2 1

REVISION RECORD			
LTN	ECO NO.	APPROVED	DATE

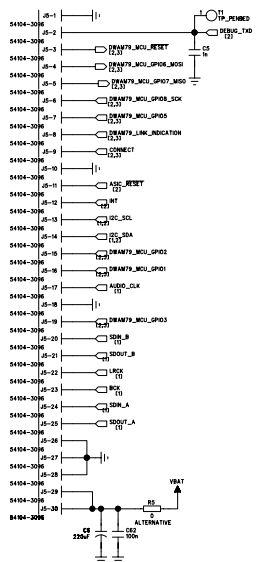
Power Supply



DWAM79 ATMEGA8 PROGRAM INTERFACE  
STK500 Interface



TOP CONTACTS

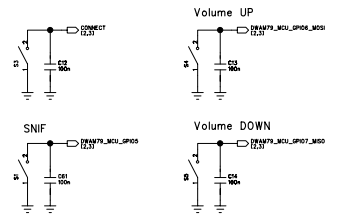


DWAM MCU GPIO OVERVIEW

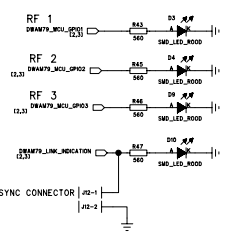
- DWAM79 MCU GPIO 1 = RF CHANNEL INDICATION 1
- DWAM79 MCU GPIO 2 = RF CHANNEL INDICATION 2
- DWAM79 MCU GPIO 3 = RF CHANNEL INDICATION 3
- DWAM79 MCU GPIO 4 = NVT
- DWAM79 MCU GPIO 5 = SNIF PUSH BUTTON
- DWAM79 MCU GPIO 6 = VOLUME UP PUSH BUTTON
- DWAM79 MCU GPIO 7 = VOLUME DOWN PUSH BUTTON
- DWAM79 MCU GPIO 8 = ?

- \*\* VRAAG AAN ROBL
- \*\* MOETEN ALLE DWAM79 MCU GPIO'S NAAR ATMEGA128?

PUSH BUTTONS



DWAM 79 STATUS LEDS



GPIO MCU 4 & 5 ZIJN NIEUW, IPV GND'S  
GPIO MCU 9 IS NIEUW, IPV GND, EXPRESS GND NAAST AUDIO CLK INTACT GEHOUDEN

DRAWN:		DATED:		CODE:		SIZE:		DRAWING NO.:		REV.:	
CHECKED:		DATED:		SCALE:		SHEET:		OF:			
QUALITY CONTROL:		DATED:									
RELEASED:		DATED:									